

**REFRIGERANT PIPING DIAGRAM**  
NO SCALE

EXHAUST FAN SCHEDULE									
SYM.	TYPE	G.F.M.	S.P.E.	WATTS	CHAR.	R.P.M.	CONTROL	REMARKS	
EF-1	CEILING MOUNTED	200	.40	166	120/60/1	750	WALL SWITCH SEE ELEC.	BROAN LOSONE SELECT MODEL L200 WITH BACKDRAFT DAMPER. CONNECT TO EXIST. EXHAUST DUCT	
EF-2	CEILING MOUNTED	200	.40	166	120/60/1	750	WALL SWITCH SEE ELEC.	BROAN LOSONE SELECT MODEL L200 WITH BACKDRAFT DAMPER. CONNECT TO EXIST. EXHAUST DUCT	

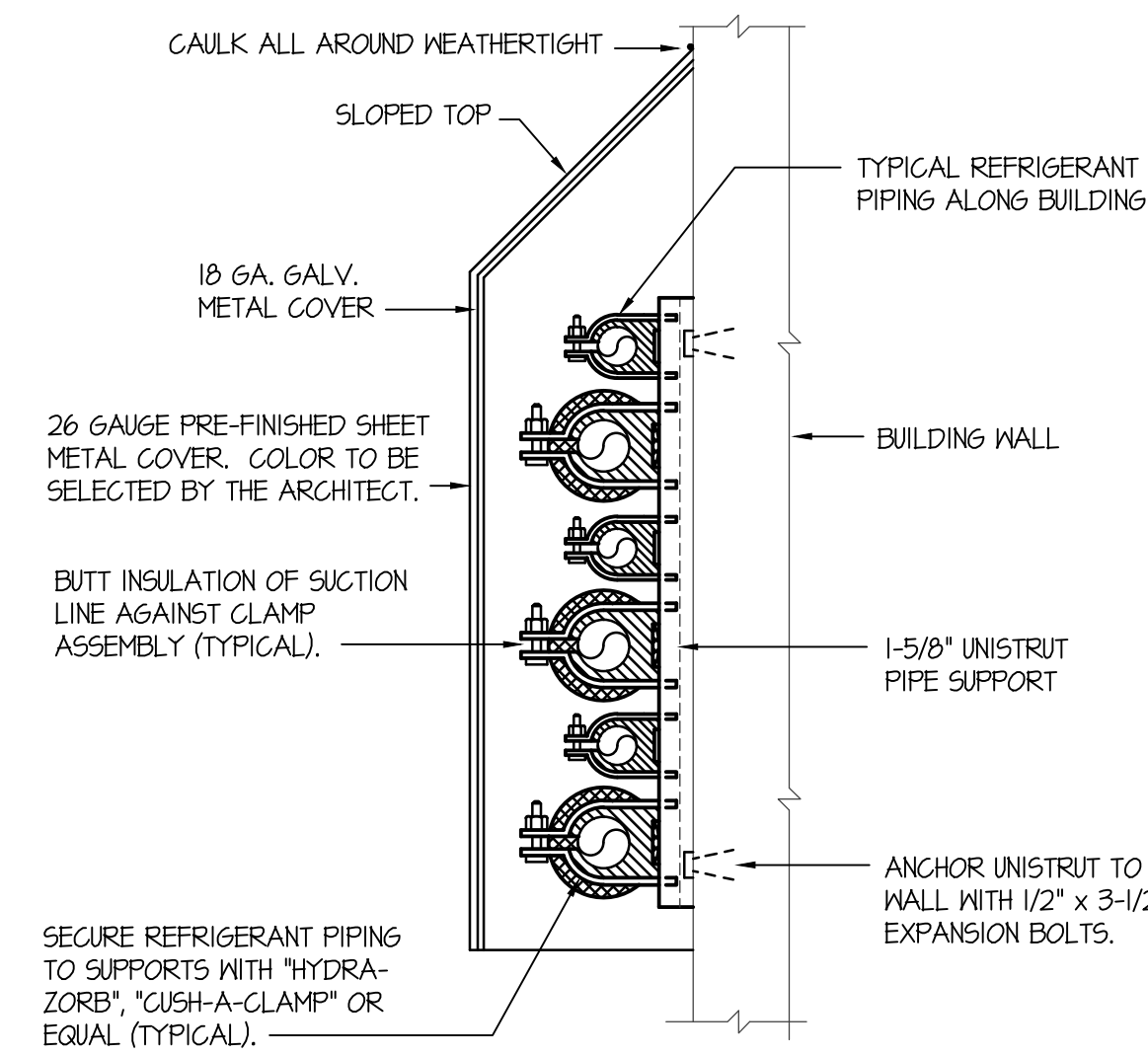
① SEE SPECIFICATIONS FOR OTHER APPROVED MANUFACTURERS.

CONDENSING UNIT SCHEDULE										
SYM.	BTU	EAT	CHAR.	MCA	MFS	SEER	REFR.	PIPE SIZING		REMARKS ①
								LIQUID	SUCTION	
CU-1	30,000	45°F	240/60/1	18.7	30.0	13.0	R-410A	3/8"	5/8"	LENNOX MODEL 13ACX-030 WITH 0°F LOW AMBIENT HARD START KIT.
CU-2	30,000	45°F	240/60/1	18.7	30.0	13.0	R-410A	3/8"	5/8"	LENNOX MODEL 13ACX-030 WITH 0°F LOW AMBIENT HARD START KIT.

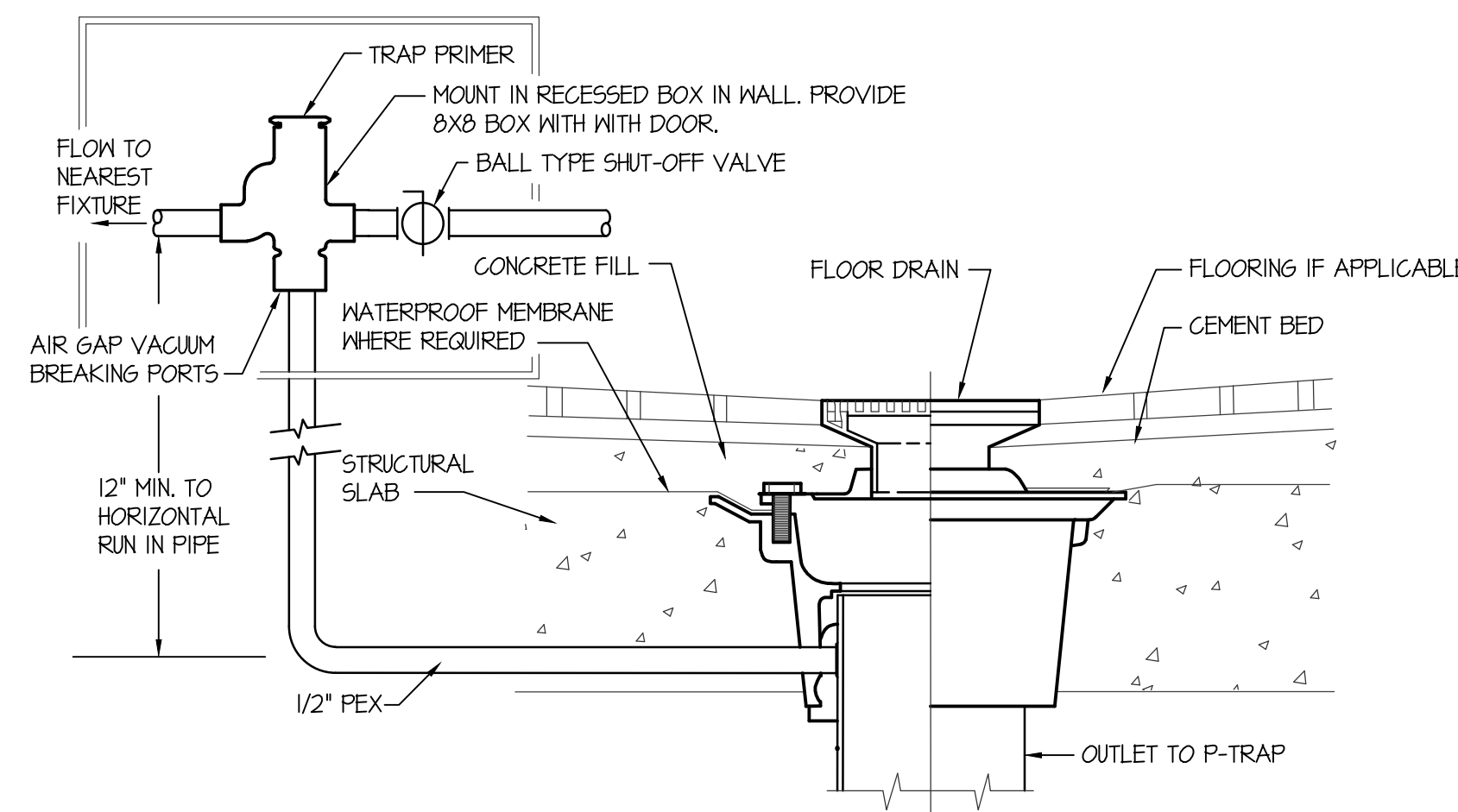
① SEE SPECIFICATIONS FOR OTHER APPROVED MANUFACTURERS.

PLUMBING FIXTURE SCHEDULE									
SYM.	DESCRIPTION	PIPE SIZE					REMARKS ①		
		TRAP	WASTE	VENT	C.J.L.	H.W.			
WC-1	WATER CLOSET	INT.	4"	2"	1/2"	-	FLUSH TANK		
U-1	URINAL	INT.	2"	2"	1"	-	FLUSH VALVE, WALL MOUNTED		
L-1	LAVATORY	1-1/2"	1-1/2"	1-1/2"	1/2"	1/2"	COUNTERTOP		
FD-1	FLOOR DRAIN	2"	2"	2"	-	-	WITH DEEP SEAL P-TRAP		
TP-1	TRAP PRIMER	-	-	-	3/4"	-	MOUNT UNDER LAVATORY AS NOTED ON DWG. SEE DETAIL ON THIS SHEET		

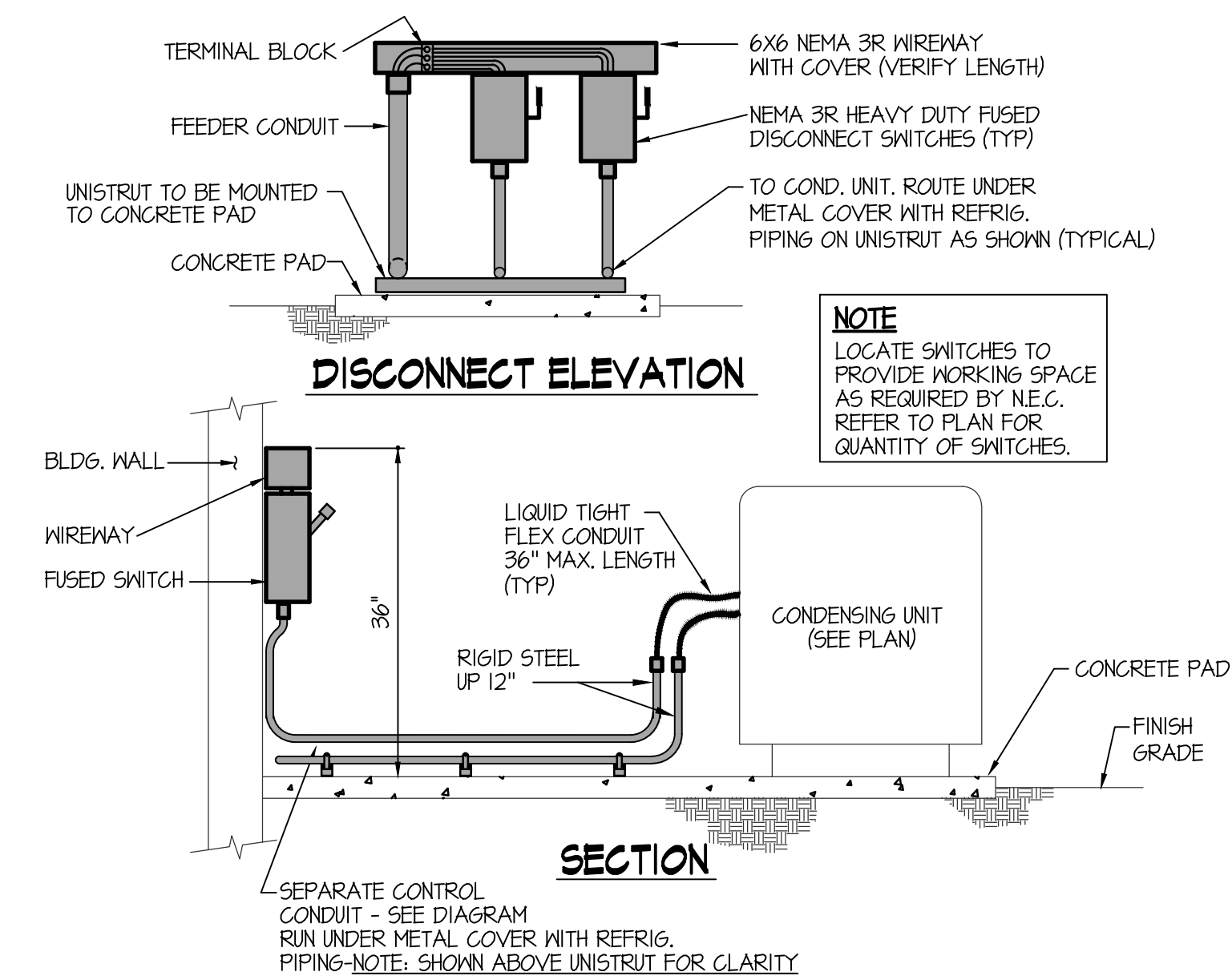
① SEE SPECIFICATIONS MODEL AND MANUFACTURER INFORMATION.



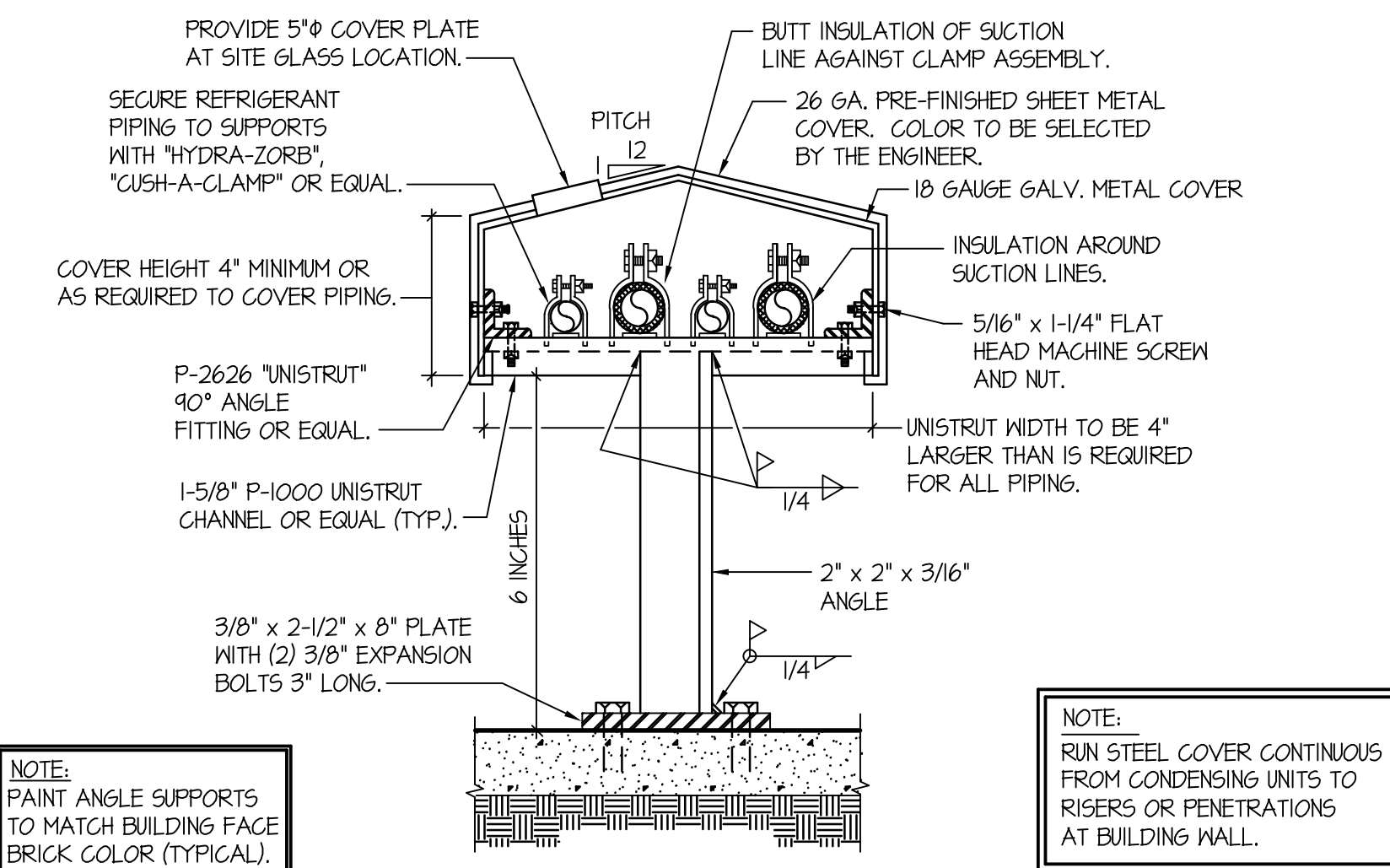
**PIPE SUPPORT ALONG BUILDING**  
NO SCALE



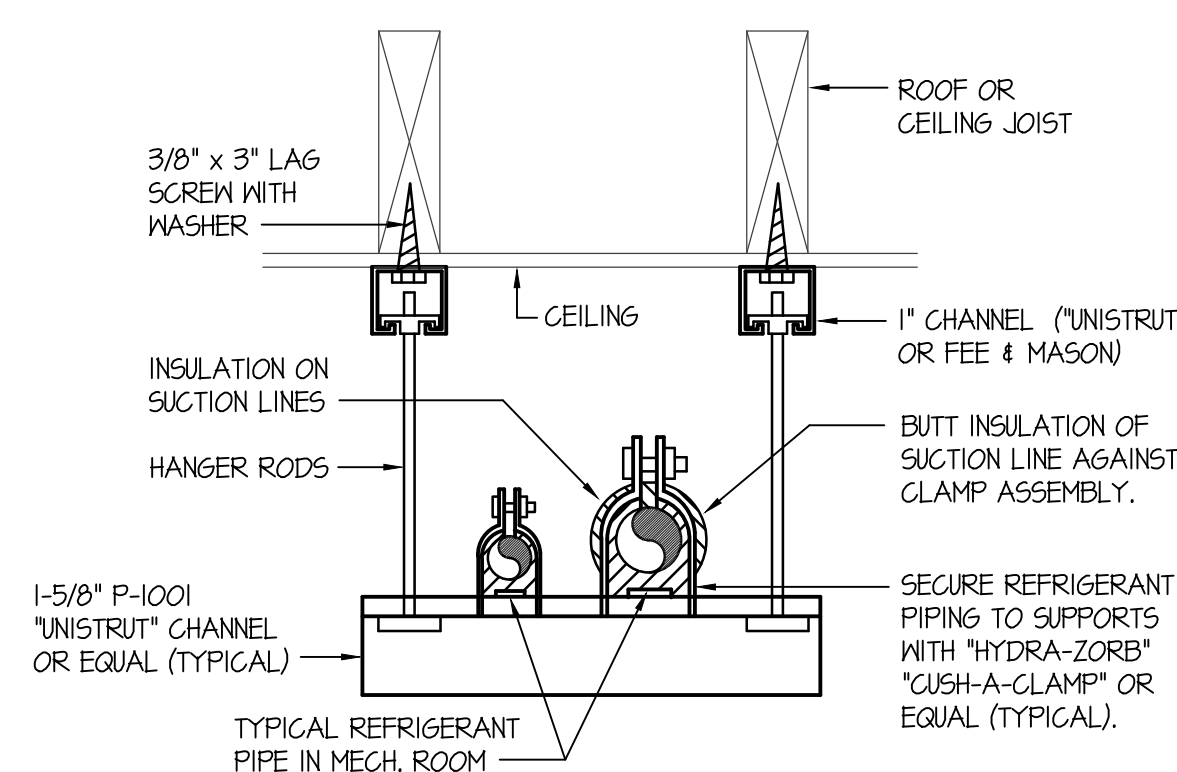
**TRAP PRIMER DETAIL**  
NO SCALE



**CONDENSING UNIT - CONDUIT DIAGRAM**  
NO SCALE



**REFRIGERANT PIPE SUPPORT DETAIL**  
NO SCALE



**SUSPENDED PIPE SUPPORT**  
NO SCALE

1133 Call Creek Ste C  
Pocatello, Idaho 83201  
Phone (208) 406-3153

JAMES K. LYSTRUP  
ARCHITECT

VIEW

INTERIOR RENOVATIONS

BURLEY, IDAHO

Project for:

THE CHURCH OF  
JESUS CHRIST  
OF LATTER-DAY SAINTS

Property Number:  
503-8669

Plan Series:

Date:  
2/28/2019

Sheet Title:

MECH., ELEC.  
& PLUMBING  
DETAILS &  
SCHEDULES

Sheet:

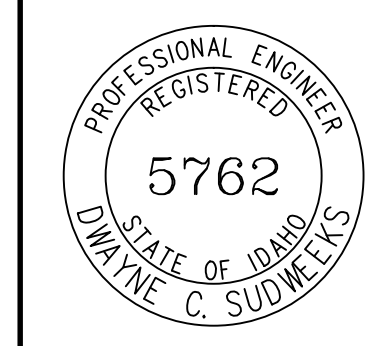
MPE2.1

ORIGINAL DRAWING SIGNED BY: DWAYNE C. SUDWEEKS  
DATE ORIGINAL SIGNED: Mar 06, 2019  
ORIGINAL ON FILE AT ENGINEERED SYSTEMS ASSOCIATES  
1355 EAST CENTER, POCATELLO, IDAHO 83201

**Engineered Systems Associates**

1355 EAST CENTER  
POCATELLO, IDAHO 83201

PHONE: (208) 233-0501  
FAX: (208) 233-0529  
EMAIL: esa@engsystems.com  
ESA JOB NUMBER: 19008



F:\19140026 LP5 View Mards Toilet Rooms\19026 MPE2.1.dwg Mar 06, 2019 - 4:06pm